



45L & 60L FRIDGE USER MANUAL

YCD45K & YCD60K



YCD45K



YCD60K

Please read and understand this manual completely
before using this product.



SAFETY INFORMATION:

Please read the user manual and safety instructions carefully before using the appliance.

- This appliance can be used by children aged from 8 years and above and persons with reduced physical, sensory or mental capabilities or lack of experience and knowledge if they have been given supervision or instruction concerning use of the appliance in a safe way and understand the hazards involved.
- Children shall not play with the appliance.
- Cleaning and user maintenance shall not be performed by children without supervision.
- By ignoring the safety instructions 4WD Supacentre cannot be held responsible for the damage.
- The use of accessories that are not recommended by 4WD Supacentre can cause injuries and will invalidate any warranty that you may have.
- The appliance shall not be exposed to rain. Place the refrigerator on a dry, protected surface, away from edges.
- Do not use the refrigerator in uncovered, outdoor areas exposed to the elements.
- Do not use this appliance near direct heat sources, for example, a cooker, radiator or exposing it to direct sunlight.
- Do not place ice or liquids which are not sealed in containers within the refrigerator.
- Do not place hot products or hot food in the refrigerator.
- Place the products so that they do not knock against each other or break when the appliance is in motion.
- The power cable must only be replaced by qualified technical personnel and by an assistant body authorized by the manufacturer.
- Before carrying out any maintenance operations on the refrigerator, disconnect the power cable from the plug.
- This appliance is suitable for camping use. In addition to this, it can also be used in households and other residential environments.

WARNING: Keep ventilation openings, in the appliance enclosure or in the built-in structure, clear of obstruction. Leave a space of at least 15cm across all its sides.

WARNING: Do not use mechanical devices or other means to accelerate the defrosting process.

WARNING: Do not use electrical appliances inside the food storage compartments of the appliance, unless they are of the type recommended by 4WD Supacentre.

WARNING: *Do not store explosive substances such as aerosol cans with a flammable propellant in this appliance*

WARNING: Do not use an extension cord

DANGER: Risk of child entrapment.

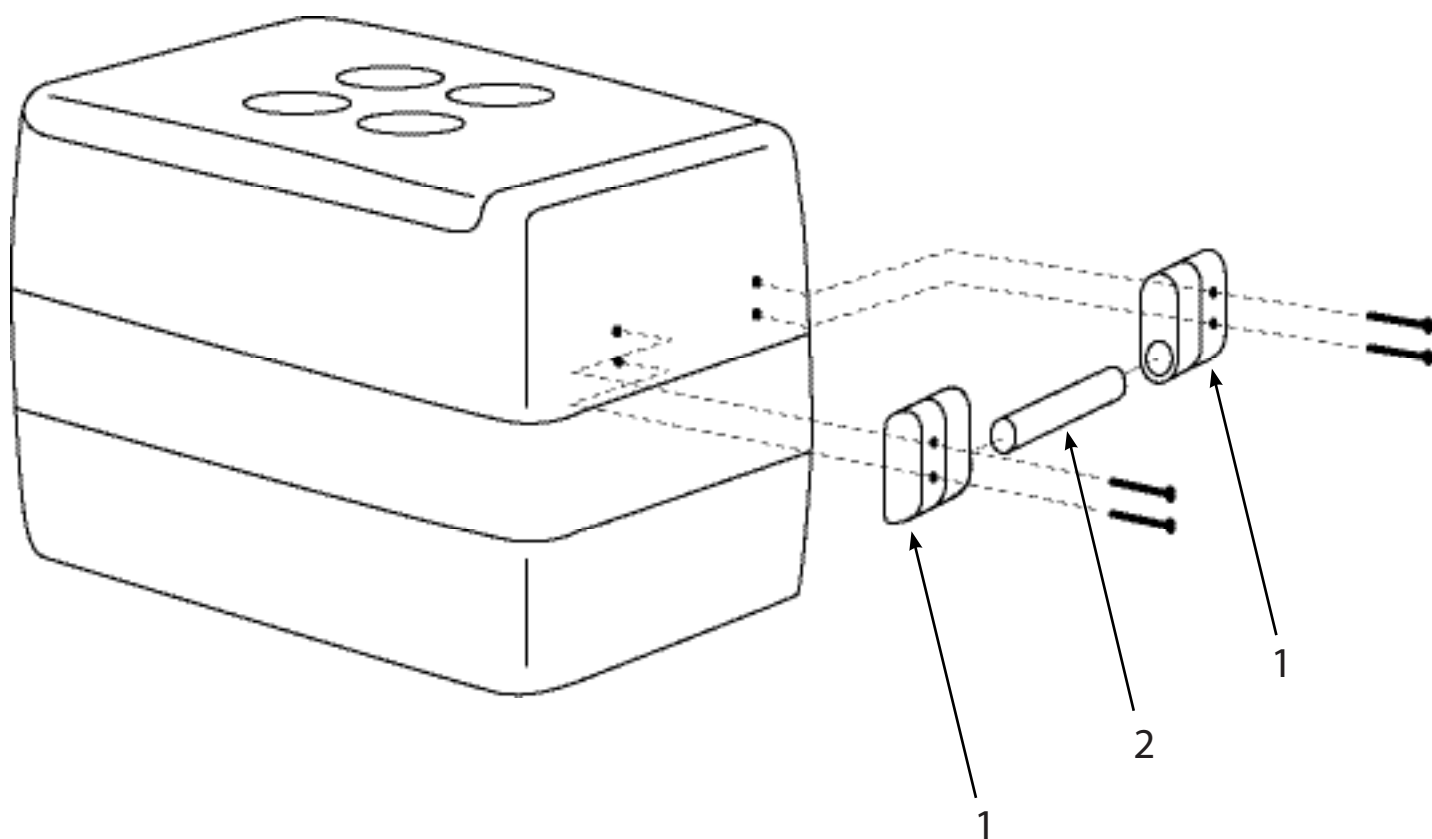
Before you throw away your old refrigerator or freezer:

- Take off the doors
- Leave the shelves in place so that children may not easily climb inside.

FOR SAFE DISPOSAL: Dispose of appliance at a suitable resource and recovery centre.

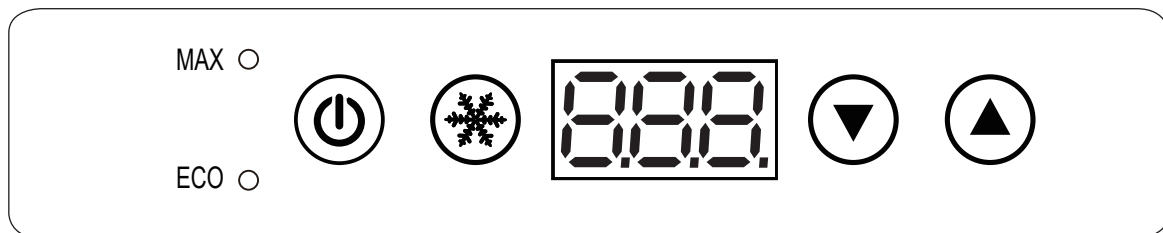
INSTALLING THE HANDLES:

1. Adventure Kings YCD45K & YCD60K fridges are shipped with the handles unassembled.
2. To assemble, put together the two holders (1) with a handle (2).
3. Position the holders onto the side so that the handle folds out and up.
4. Screw in all four points using the included screws and hex key.
5. Repeat for the opposite side.



ADJUSTING THE TEMPERATURE:

1. Turn the fridge on by connecting to power and pressing the 'Ⓢ' button.
2. The display will show the fridge's current internal temperature.
The fridge will start cooling to the last set temperature.
3. To adjust the set temperature, press the '▲' or the '▼' arrow buttons until the desired set temperature is displayed. Additionally, the set temperature can be adjusted in 4°C increments (per second) by holding either '▲' or '▼' down.



SWAPPING BETWEEN FAHRENHEIT (°F) & CELSIUS (°C):

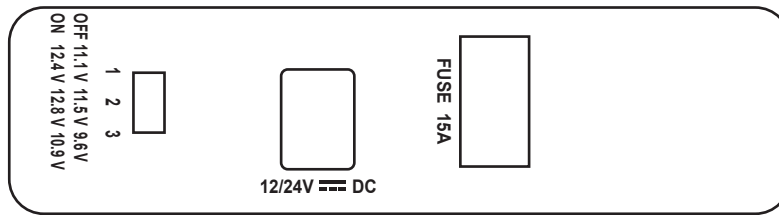
1. To choose between Fahrenheit and Celsius, hold down both the 'Ⓢ' & '▼' arrow simultaneously and the screen will begin to flash.
2. Press either the '▲' or '▼' arrow button to choose either Celsius (°C) & Fahrenheit (°F).

FASTER COOLING (MAX) & EFFICIENT COOLING (ECO) SETTINGS:

- Press the 'Ⓢ' to switch between the ECO and MAX settings. The indicator light will illuminate next to the selected mode, red (MAX) or green (ECO).

ADJUSTING THE LOW VOLTAGE CUT-OFF:

Adventure Kings Fridges come with three different settings for voltage cut-offs:



Voltage Option	12V		24V	
	Switch off	Switch on	Switch off	Switch on
1	11.1V	12.4V	22.3V	23.7V
2	11.5V	12.8V	24.3V	25.7V
3	9.6V	10.9V	21.3V	22.7V

BATTERY START PROTECTION:

- The fridges comes with a 5-second start-up delay for the fan and a 20-second start-up delay for the compressor.
This is used to not overload the battery of the vehicle when it is first starting.
- During the 20-second delay, the user can still adjust settings.

TECHNICAL INFORMATION

	YCD45K	YCD60K
Gross Capacity	45 litres	60 litres
Dimensions (HWL)	444 x 414 x 664	534 x 414 x 664
Voltages	12DC / 24DC / 240AC	12DC / 24DC / 240AC
Average Power Consumption	≤ 45W	≤ 55W
Temperature Range	10°C to -18°C	10°C to -18°C
Weight	17.8kg	19.8kg
Refrigerant Fluid	R134a (50g)	R134a (80g)

TROUBLESHOOTING:

Code	Description	Action
E1	Battery Voltage is low.	Check battery voltage and adjust Low Voltage Cut-Off as required.
E2	Fan failure / Frequent start-stop.	Contact point of sale to arrange further action.
E3	Compressor startup problems.	<p>Check air vents are clear. Move fridge to cooler location (ambient temperature may be too high).</p>
E4	Compressor's running speed fails to reach the requirements.	
E5	The model is overloading.	
E6	NTC failure(open circuit or short circuit)	



24 MONTH LIMITED WARRANTY

PLEASE SEE WEBSITE FOR DETAILED INSTRUCTIONS ON HOW TO SET-UP & INSTALL YOUR 45L OR 60L FRIDGE

WARRANTY PERIOD:

Full 24 month warranty from date of purchase against all manufacturing defects.

WHAT DOES THE WARRANTY COVER?

Under normal usage conditions, this warranty covers:

- a. Any defect in design or manufacture which results in the product failing to perform substantially as described in authorised advertising or literature.
- b. We will either repair or replace the product at our discretion providing that the fault is found to have been caused by a design or manufacturing defect and not misuse or tampering.

Our goods come with guarantees that cannot be excluded under the Australian Consumer Law. You are entitled to a replacement or refund for a major failure and for compensation for any other reasonably foreseeable loss or damage. You are also entitled to have the goods repaired or replaced if the goods fail to be of acceptable quality and the failure does not amount to a major failure. The benefits provided to you as the consumer by this warranty are in addition to other rights and remedies available to you under the law.

THE WARRANTY DOES NOT COVER:

- a. Any damage resulting from improper use
 - b. Faulty installation or modification made during installation
 - c. The cost of removing and reinstalling the product
 - d. Travel and /or other expenses due to customer's remote location
 - e. Transport charges and damage in transit. It is your responsibility to deliver and pick up your product, including any costs associated with the postage of your repair or replacement product. If you do freight your product we recommend that you insure against loss or damage.
 - f. Any loss directly or indirectly associated with the product failing to operate.
 - g. Damage caused by mould, insects, animals, misuse, incorrect operation, adverse weather, accidents and fair wear and tear
-

TO MAKE A CLAIM, PLEASE ENSURE YOU RETAIN YOUR SALES RECEIPT OF PURCHASE

CALL 1800 88 39 64



OUTDOOR SUPACENTRE PTY LTD
2 Stanley St Silverwater NSW, 2128
PHONE: 1800 88 39 64
www.4wdsupacentre.com.au

